



WICO/WICO63

WICO / WICO63-bearings are preferably intended for slow radial and axial movements with relatively high loads and also where effective lubrication does not exist.

WICO / WICO63-bearings therefore have their greatest field of application in oscillatory or slow reciprocating motions.

Owing to the fact that static and dynamic friction is almost equal a favourable bearing is obtained, where continual changes in load and movement are occurring e.g. in slewing brackets and guides in piston rods

The thin layers, which constitute the running surface of the bearing, ought to be well protected to avoid mounting damages and also for heat from e.g. welding.

Technical data

Material:

WICO: Steel backing, bronze, POM

WICO63: Brass backing, bronze, POM

Friction: No lubrication 0,12 – 0,20µ
Boundary lubrication 0,025 – 0,10µ

Max speed: 2,0m/s

Temperature range: -60 / +100 °C

Tolerances: Bearings pressed into housing H7 get tolerance H9.

Recommended tolerance for the shaft IT7 or IT8 with position of tolerance e or f.

Lubrication: Additional lubrication ought to be done through the shafts or radial through the housings

All customary greases can be used.

WICO/WICO63-bearings need in most of cases very little additional lubrication.

Benefits:

- Rather high load capacity.
- Can be used where effective lubrication does not exist.
- Low friction even without lubrication.
- High level thermal conductivity.
- Wide range of stock hold standard dimensions.

Special:

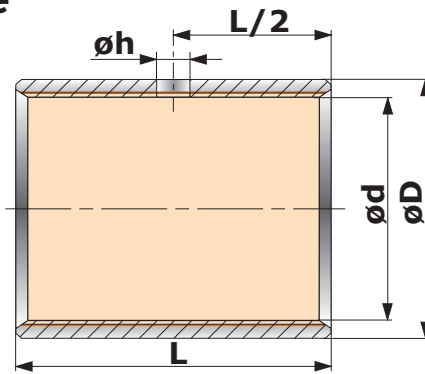
- Sliding surface on the outside.
- In- or outside lubrication grooves.
- Flat or spherical thrust washers.
- With stainless steel backing.
- Drawing details.

Typical applications:

- Printing machines.
- Hydraulic cylinders.
- Tail lifts.
- Hydraulic cranes.
- Transport systems.
- Talibordlifts.

| Load | Movement |
|---------------------------|------------------|
| Ca: 250 N/mm ² | Static |
| 140 N/mm ² | Dynamic |
| 60 N/mm ² | Rotating, oscil. |

Dimension programme WICO



| Code | Designation | | | d | D | L |
|--------|-------------|-----|------|----|----|----|
| 102030 | 14/ | 16x | 20 | 14 | 16 | 20 |
| 102036 | 15/ | 17x | 20 | 15 | 17 | 20 |
| 102037 | 15/ | 17x | 25 | 15 | 17 | 25 |
| 102040 | 16/ | 18x | 15 | 16 | 18 | 15 |
| 102045 | 16/ | 18x | 20 | 16 | 18 | 20 |
| 102055 | 18/ | 21x | 15 | 18 | 21 | 15 |
| 102075 | 20/ | 23x | 20 | 20 | 23 | 20 |
| 102080 | 20/ | 23x | 25 | 20 | 23 | 25 |
| 102085 | 20/ | 23x | 30 | 20 | 23 | 30 |
| 102092 | 22/ | 25x | 15-L | 22 | 25 | 15 |
| 102097 | 22/ | 25x | 20-L | 22 | 25 | 20 |
| 102103 | 22/ | 25x | 30 | 22 | 25 | 30 |
| 102105 | 25/ | 28x | 15 | 25 | 28 | 15 |
| 102108 | 25/ | 28x | 20-L | 25 | 28 | 20 |
| 102110 | 25/ | 28x | 25 | 25 | 28 | 25 |
| 102115 | 25/ | 28x | 30 | 25 | 28 | 30 |
| 102135 | 30/ | 34x | 20 | 30 | 34 | 20 |
| 102137 | 30/ | 34x | 25 | 30 | 34 | 25 |
| 102140 | 30/ | 34x | 30 | 30 | 34 | 30 |
| 102145 | 30/ | 34x | 40 | 30 | 34 | 40 |
| 102150 | 32/ | 36x | 20 | 32 | 36 | 20 |
| 102160 | 32/ | 36x | 40 | 32 | 36 | 40 |
| 102172 | 35/ | 39x | 30 | 35 | 39 | 30 |
| 102175 | 35/ | 39x | 40 | 35 | 39 | 40 |
| 102180 | 35/ | 39x | 50 | 35 | 39 | 50 |
| 102183 | 36/ | 40x | 15 | 36 | 40 | 15 |
| 102185 | 36/ | 40x | 40 | 36 | 40 | 40 |
| 102190 | 40/ | 44x | 20 | 40 | 44 | 20 |
| 102200 | 40/ | 44x | 30 | 40 | 44 | 30 |
| 102205 | 40/ | 44x | 40 | 40 | 44 | 40 |
| 102210 | 40/ | 44x | 50 | 40 | 44 | 50 |
| 102225 | 45/ | 50x | 20 | 45 | 50 | 20 |
| 102230 | 45/ | 50x | 30 | 45 | 50 | 30 |
| 102235 | 45/ | 50x | 35 | 45 | 50 | 35 |
| 102240 | 45/ | 50x | 40 | 45 | 50 | 40 |
| 102245 | 45/ | 50x | 50 | 45 | 50 | 50 |
| 102250 | 45/ | 50x | 60 | 45 | 50 | 60 |
| 102255 | 50/ | 55x | 15 | 50 | 55 | 15 |
| 102260 | 50/ | 55x | 20 | 50 | 55 | 20 |
| 102265 | 50/ | 55x | 30 | 50 | 55 | 30 |
| 102270 | 50/ | 55x | 40 | 50 | 55 | 40 |
| 102275 | 50/ | 55x | 50 | 50 | 55 | 50 |
| 102280 | 50/ | 55x | 60 | 50 | 55 | 60 |
| 102290 | 55/ | 60x | 40 | 55 | 60 | 40 |
| 102300 | 55/ | 60x | 60 | 55 | 60 | 60 |
| 102304 | 60/ | 65x | 25 | 60 | 65 | 25 |
| 102305 | 60/ | 65x | 40 | 60 | 65 | 40 |
| 102310 | 60/ | 65x | 45 | 60 | 65 | 45 |
| 102312 | 60/ | 65x | 50 | 60 | 65 | 50 |
| 102315 | 60/ | 65x | 60 | 60 | 65 | 60 |
| 102320 | 60/ | 65x | 70 | 60 | 65 | 70 |
| 102325 | 63/ | 68x | 25 | 63 | 68 | 25 |
| 102330 | 65/ | 70x | 40 | 65 | 70 | 40 |
| 102335 | 65/ | 70x | 60 | 65 | 70 | 60 |
| 102339 | 70/ | 75x | 20 | 70 | 75 | 20 |
| 102340 | 70/ | 75x | 25 | 70 | 75 | 25 |
| 102345 | 70/ | 75x | 40 | 70 | 75 | 40 |
| 102347 | 70/ | 75x | 45 | 70 | 75 | 45 |
| 102348 | 70/ | 75x | 50 | 70 | 75 | 50 |
| 102350 | 70/ | 75x | 60 | 70 | 75 | 60 |
| 102353 | 70/ | 75x | 70 | 70 | 75 | 70 |
| 102355 | 70/ | 75x | 80 | 70 | 75 | 80 |
| 102360 | 75/ | 80x | 40 | 75 | 80 | 40 |

| Code | Designation | | | d | D | L |
|---------|-------------|------|-------|-----|-----|-----|
| 102365 | 75/ | 80x | 80 | 75 | 80 | 80 |
| 102370 | 80/ | 85x | 25 | 80 | 85 | 25 |
| 102375 | 80/ | 85x | 40 | 80 | 85 | 40 |
| 1023765 | 80/ | 85x | 45 | 80 | 85 | 45 |
| 102377 | 80/ | 85x | 60 | 80 | 85 | 60 |
| 102380 | 80/ | 85x | 80 | 80 | 85 | 80 |
| 102385 | 85/ | 90x | 40 | 85 | 90 | 40 |
| 102390 | 85/ | 90x | 80 | 85 | 90 | 80 |
| 102393 | 90/ | 95x | 20 | 90 | 95 | 20 |
| 1023935 | 90/ | 95x | 25 | 90 | 95 | 25 |
| 102395 | 90/ | 95x | 40 | 90 | 95 | 40 |
| 102398 | 90/ | 95x | 60 | 90 | 95 | 60 |
| 102399 | 90/ | 95x | 80-L | 90 | 95 | 80 |
| 102400 | 90/ | 95x | 90 | 90 | 95 | 90 |
| 102405 | 95/ | 100x | 80 | 95 | 100 | 80 |
| 102415 | 100/ | 105x | 20 | 100 | 105 | 20 |
| 102418 | 100/ | 105x | 25 | 100 | 105 | 25 |
| 102420 | 100/ | 105x | 40-L | 100 | 105 | 40 |
| 102424 | 100/ | 105x | 50 | 100 | 105 | 50 |
| 102426 | 100/ | 105x | 60 | 100 | 105 | 60 |
| 102427 | 100/ | 105x | 80 | 100 | 105 | 80 |
| 102430 | 100/ | 105x | 95 | 100 | 105 | 95 |
| 102431 | 105/ | 110x | 60-L | 105 | 110 | 60 |
| 1024315 | 105/ | 110x | 115 | 105 | 110 | 115 |
| 102433 | 110/ | 115x | 25 | 110 | 115 | 25 |
| 102435 | 110/ | 115x | 50 | 110 | 115 | 50 |
| 102437 | 110/ | 115x | 60 | 110 | 115 | 60 |
| 102440 | 110/ | 115x | 95-L | 110 | 115 | 95 |
| 102443 | 120/ | 125x | 40 | 120 | 125 | 40 |
| 1024438 | 120/ | 125x | 45 | 120 | 125 | 45 |
| 102444 | 120/ | 125x | 50 | 120 | 125 | 50 |
| 102447 | 120/ | 125x | 60-L | 120 | 125 | 60 |
| 102448 | 120/ | 125x | 80-L | 120 | 125 | 80 |
| 102450 | 120/ | 125x | 95 | 120 | 125 | 95 |
| 102451 | 120/ | 125x | 100-L | 120 | 125 | 100 |
| 102453 | 125/ | 130x | 40 | 125 | 130 | 40 |
| 102454 | 125/ | 130x | 60 | 125 | 130 | 60 |
| 102455 | 125/ | 130x | 100 | 125 | 130 | 100 |
| 102460 | 130/ | 135x | 60-L | 130 | 135 | 60 |
| 102465 | 130/ | 135x | 100 | 130 | 135 | 100 |
| 102470 | 140/ | 145x | 60 | 140 | 145 | 60 |
| 102480 | 140/ | 145x | 100-L | 140 | 145 | 100 |
| 102488 | 150/ | 155x | 50-L | 150 | 155 | 50 |
| 102490 | 150/ | 155x | 60 | 150 | 155 | 60 |
| 102497 | 150/ | 155x | 100-L | 150 | 155 | 100 |
| 102500 | 160/ | 165x | 60 | 160 | 165 | 60 |
| 102505 | 160/ | 165x | 100 | 160 | 165 | 100 |
| 102510 | 165/ | 170x | 65 | 165 | 170 | 65 |
| 102515 | 170/ | 175x | 60-L | 170 | 175 | 60 |
| 102525 | 170/ | 175x | 100-L | 170 | 175 | 100 |
| 102530 | 175/ | 180x | 65 | 175 | 180 | 65 |
| 102535 | 180/ | 185x | 60 | 180 | 185 | 60 |
| 102540 | 180/ | 185x | 100 | 180 | 185 | 100 |
| 102543 | 190/ | 195x | 50-L | 190 | 195 | 50 |
| 102545 | 190/ | 195x | 60 | 190 | 195 | 60 |
| 102550 | 190/ | 195x | 100 | 190 | 195 | 100 |
| 102555 | 195/ | 200x | 90 | 195 | 200 | 90 |
| 102557 | 195/ | 200x | 90-L | 195 | 200 | 90 |
| 102560 | 200/ | 205x | 60-L | 200 | 205 | 60 |
| 102570 | 200/ | 205x | 100 | 200 | 205 | 100 |
| 102600 | 240/ | 245x | 50-L | 240 | 245 | 50 |

Other dimensions and designs can be supplied on request. All measures in mm.

("L" in the designation stand for lubricating hole.)