



## PDE

PDE-bearings with or without flange are preferably intended for slow radial and axial movements with moderate loads and also where effective lubrication does not exist.

The PDE-bearings therefore have their greatest field of application in oscillatory or slow reciprocating motions.

Owing to the fact, that static and dynamic friction is almost equal, a favourable bearing is obtained, where continual changes in load and movement are occurring. The execution of the flange permits, that the bearings also can carry axial loads.

DE is a special compound material with very good properties, i.a. very dimension stable and no water absorption.

The standard sizes have the same built-in measures as the wrapped bearings.

### Technical data

**Material:**

PBT+synthetic fiber+bronze+PTFE

**Friction:** No lubrication 0,10 - 0,15µ  
Boundary lubricated 0,025 –0,10µ

**Max speed:**

Rotating 1,0 m/s  
Linear 3,0 m/s

**Temperature range:** -50 / +100 °C

Load	Speed
70 N/mm <sup>2</sup>	0 m/s
40 N/mm <sup>2</sup>	0,01 m/s
4 N/mm <sup>2</sup>	0,10 m/s

**Tolerances:** Bearings pressed into housing H7 get tolerance F10. Recommended tolerance for the shaft h9-h7.

**Lubrication:** PDE-bearings include PTFE as a lubrication additive. Therefore PDE- bearings can be used without additional lubrication.

Additional lubrication can be recommended to prevent corrosion on the shaft. Additional lubrication ought to be done through the shafts or radial through the housings.

All customary greases can be used.

**Benefits:**

- Designed to work even without lubrication.
- Can be used in difficult circumstances.
- No water absorption. (0,1 - 0,2%)
- Economical.
- Wide range of stock hold standard dimensions.

**Special:**

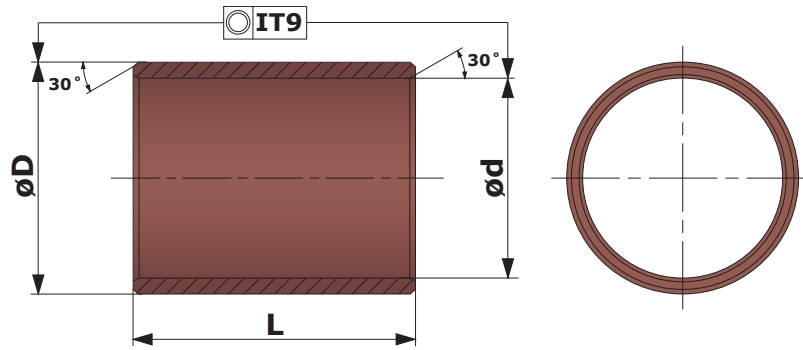
- Many different compounds with unique properties.
- In- or outside lubrication grooves.
- Bearings with intergrated seals.
- Other positions of tolerance.
- Flat and spherical thrust washers.
- Drawing details.

**Type of applications:**

- Forest grapples.
- Agricultural machines.
- Tail lifts.
- Person lifts.
- Office furniture.
- Paper industry.

## Dimension programme

### PDE

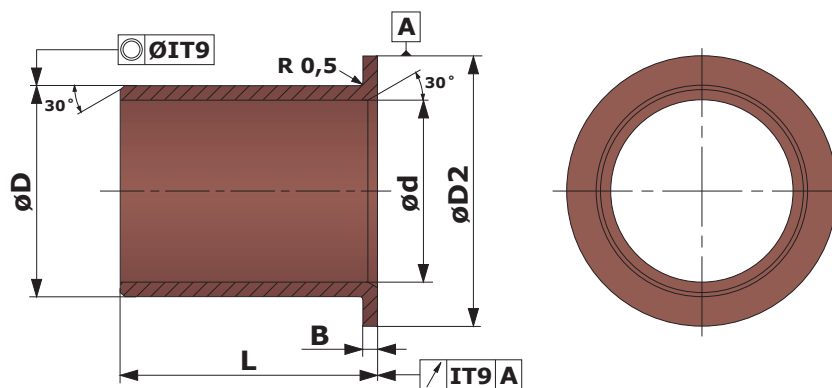


Code	Designation	d	D	L
110005	05/ 07x 05 PDE	05	07	05
110006	06/ 08x 06 PDE	06	08	06
110007	06/ 08x 10 PDE	06	08	10
110010	08/ 10x 10 PDE	08	10	10
110015	08/ 10x 15 PDE	08	10	15
110020	08/ 12x 10 PDE	08	12	10
110024	10/ 12x 09 PDE	10	12	09
110025	10/ 12x 10 PDE	10	12	10
110030	10/ 12x 15 PDE	10	12	15
110035	10/ 12x 20 PDE	10	12	20
110040	10/ 14x 10 PDE	10	14	10
110045	12/ 14x 10 PDE	12	14	10
110049	12/ 14x 14 PDE	12	14	14
110050	12/ 14x 15 PDE	12	14	15
110055	12/ 16x 12 PDE	12	16	12
110058	12/ 14x 30 PDE	12	14	30
110060	14/ 16x 15 PDE	14	16	15
110065	14/ 16x 20 PDE	14	16	20
110070	14/ 16x 25 PDE	14	16	25
110075	14/ 18x 14 PDE	14	18	14
110080	15/ 17x 15 PDE	15	17	15
110085	15/ 17x 20 PDE	15	17	20
110090	15/ 17x 25 PDE	15	17	25
110092	16/ 18x 07 PDE	16	18	07
110093	16/ 18x 10 PDE	16	18	10
110095	16/ 18x 15 PDE	16	18	15
110100	16/ 18x 20 PDE	16	18	20
110105	16/ 20x 16 PDE	16	20	16
110110	18/ 20x 15 PDE	18	20	15
110115	18/ 20x 20 PDE	18	20	20
110120	18/ 20x 25 PDE	18	20	25
110125	18/ 21x 20 PDE	18	21	20
110130	18/ 22x 18 PDE	18	22	18
110133	20/ 23x 10 PDE	20	23	10
110135	20/ 23x 15 PDE	20	23	15
1101351	20/ 25x 15 PDE	20	25	15
110140	20/ 23x 20 PDE	20	23	20
110145	20/ 23x 25 PDE	20	23	25
110147	20/ 23x 30 PDE	20	23	30
110150	20/ 24x 20 PDE	20	24	20
110155	22/ 25x 15 PDE	22	25	15
110160	22/ 25x 20 PDE	22	25	20
110165	22/ 25x 25 PDE	22	25	25
110170	22/ 26x 20 PDE	22	26	20
1101721	24/ 27x 15 PDE	24	27	15
1101722	24/ 27x 20 PDE	24	27	20
110175	25/ 28x 12,5 PDE	25	28	12,5
110180	25/ 28x 15 PDE	25	28	15
110185	25/ 28x 20 PDE	25	28	20
110190	25/ 28x 25 PDE	25	28	25
110195	25/ 28x 30 PDE	25	28	30
110200	25/ 30x 25 PDE	25	30	25
110205	28/ 31x 30 PDE	28	31	30
110210	28/ 32x 28 PDE	28	32	28
110215	28/ 32x 30 PDE	28	32	30
110220	30/ 34x 20 PDE	30	34	20
110225	30/ 34x 25 PDE	30	34	25
110230	30/ 34x 30 PDE	30	34	30
110235	30/ 35x 30 PDE	30	35	30
110240	32/ 36x 25 PDE	32	36	25
110245	32/ 36x 30 PDE	32	36	30
110250	32/ 36x 32 PDE	32	36	32

Code	Designation	d	D	L
110260	32/ 36x 50 PDE	32	36	50
110255	32/ 36x 40 PDE	32	36	40
110263	35/ 39x 10 PDE	35	39	10
110265	35/ 39x 20 PDE	35	39	20
110270	35/ 39x 25 PDE	35	39	25
110275	35/ 39x 30 PDE	35	39	30
110277	35/ 39x 40 PDE	35	39	40
110280	35/ 39x 50 PDE	35	39	50
110285	36/ 40x 25 PDE	36	40	25
110290	36/ 40x 36 PDE	36	40	36
110295	36/ 40x 40 PDE	36	40	40
110300	36/ 40x 50 PDE	36	40	50
110307	40/ 44x 20 PDE	40	44	20
110310	40/ 44x 25 PDE	40	44	25
110315	40/ 44x 30 PDE	40	44	30
110320	40/ 44x 40 PDE	40	44	40
110325	40/ 44x 50 PDE	40	44	50
110330	40/ 45x 40 PDE	40	45	40
110332	40,3/ 44x 40 PDE	40,3	44	40
110335	45/ 50x 20 PDE	45	50	20
110340	45/ 50x 25 PDE	45	50	25
110345	45/ 50x 30 PDE	45	50	30
110350	45/ 50x 40 PDE	45	50	40
110355	45/ 50x 45 PDE	45	50	45
110357	45/ 50x 50 PDE	45	50	50
110360	45/ 50x 60 PDE	45	50	60
110365	50/ 55x 25 PDE	50	55	25
110370	50/ 55x 30 PDE	50	55	30
110375	50/ 55x 40 PDE	50	55	40
110376	50/ 55x 40 PDE	50	55	40
110380	50/ 55x 50 PDE	50	55	50
110385	50/ 55x 60 PDE	50	55	60
110396	60/ 65x 30 PDE	60	65	30
110398	60/ 65x 30 PDE	60	65	30
110401	60/ 65x 40 PDE	60	65	40
110405	60/ 65x 60 PDE	60	65	60
110410	60/ 65x 70 PDE	60	65	70
110420	65/ 70x 40 PDE	65	70	40
110425	65/ 70x 60 PDE	65	70	60
110435	70/ 75x 40 PDE	70	75	40
110440	70/ 75x 60 PDE	70	75	60
110445	70/ 75x 80 PDE	70	75	80
110455	75/ 80x 40 PDE	75	80	40
110460	75/ 80x 80 PDE	75	80	80
110470	80/ 85x 40 PDE	80	85	40
110475	80/ 85x 80 PDE	80	85	80
110485	85/ 90x 40 PDE	85	90	40
110490	85/ 90x 80 PDE	85	90	80
110500	90/ 95x 50 PDE	90	95	50
110505	90/ 95x 90 PDE	90	95	90
110515	100/ 105x 50 PDE	100	105	50
110520	100/ 105x 95 PDE	100	105	95
110525	105/ 110x 50 PDE	105	110	50
110530	105/ 110x 90 PDE	105	110	90
110535	110/ 115x 50 PDE	110	115	50
110540	110/ 115x 90 PDE	110	115	90
110550	120/ 125x 50 PDE	120	125	50
110555	120/ 125x 90 PDE	120	125	90
110560	125/ 130x 30 PDE	125	130	30
110565	125/ 130x 60 PDE	125	130	60
110580	130/ 135x 60 PDE	130	135	60
110620	150/ 155x 60 PDE	150	155	60

## Dimension programme

### PDE-F



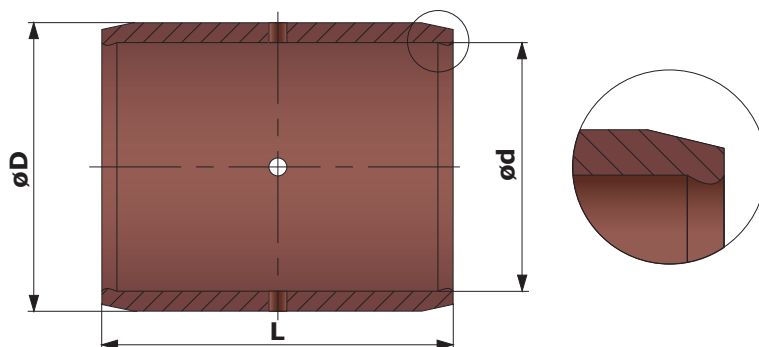
Code	Designation					d	D	D2	L	B
120007	06/ 08/ 12x 5,5	PDE-F	06	08	12	5,5	2,5			
120009	06/ 08/ 12x 08	PDE-F	06	08	12	08	1			
120010	08/ 10/ 14x 12	PDE-F	08	10	14	12	2			
120015	08/ 12/ 16x 10	PDE-F	08	12	16	10	2			
120016	08/ 12/ 16x 13	PDE-F	08	12	16	13	4,5			
120020	10/ 12/ 16x 12	PDE-F	10	12	16	12	2			
120025	10/ 14/ 18x 10	PDE-F	10	14	18	10	2			
120030	12/ 14/ 18x 12	PDE-F	12	14	18	12	2			
120034	12/ 16/ 20x 10	PDE-F	12	16	20	10	2			
120035	12/ 16/ 20x 12	PDE-F	12	16	20	12	2			
1200355	12/ 16/ 20x 19	PDE-F	12	16	20	19	2			
120036	12/ 18/ 22x 12,5	PDE-F	12	18	22	12,5	5			
120038	14/ 16/ 20x 14	PDE-F	14	16	20	14	2			
120040	14/ 16/ 20x 15	PDE-F	14	16	20	15	2			
120044	14/ 18/ 22x 9,5	PDE-F	14	18	22	9,5	2			
120045	14/ 18/ 22x 14	PDE-F	14	18	22	14	2			
120050	16/ 18/ 22x 22	PDE-F	16	18	22	22	2			
120055	16/ 20/ 24x 16	PDE-F	16	20	24	16	2			
1200555	16/ 20/ 24x 22	PDE-F	16	20	24	22	2			
120056	16/ 20/ 28x 15	PDE-F	16	20	28	15	2			
120060	18/ 20/ 24x 22	PDE-F	18	20	24	22	2			
120065	18/ 22/ 26x 18	PDE-F	18	22	26	18	2			
120070	20/ 23/ 30x 15	PDE-F	20	23	30	15	2			
120075	20/ 23/ 30x 22	PDE-F	20	23	30	22	2			
120080	20/ 24/ 30x 20	PDE-F	20	24	30	20	2			
120081	20/ 25/ 30x 15	PDE-F	20	25	30	15	2			
1200751	22/ 25/ 33x 23,5	PDE-F	22	25	33	23,5	1,5			
120085	22/ 26/ 32x 22	PDE-F	22	26	32	22	2			
120090	25/ 28/ 35x 22	PDE-F	25	28	35	22	2			
120095	25/ 28/ 35x 32	PDE-F	25	28	35	32	2			
120099	25/ 30/ 35x 20	PDE-F	25	30	35	20	2,5			
120100	25/ 30/ 35x 25	PDE-F	25	30	35	25	2,5			
120104	28/ 32/ 38x 17	PDE-F	28	32	38	17	2			
120105	28/ 32/ 38x 28	PDE-F	28	32	38	28	2			
120107	28,5/ 33/ 36x 20	PDE-F	28,5	33	36	20	3			
120109	30/ 34/ 45x 18	PDE-F	30	34	45	18	2			
120110	30/ 34/ 45x 22	PDE-F	30	34	45	22	2			
120115	30/ 34/ 45x 32	PDE-F	30	34	45	32	2			
120120	30/ 35/ 42x 30	PDE-F	30	35	42	30	2,5			
120125	32/ 36/ 42x 32	PDE-F	32	36	42	32	2			
120127	35/ 39/ 48x 13	PDE-F	35	39	48	13	2			
120130	35/ 39/ 50x 22	PDE-F	35	39	50	22	2			
120135	35/ 39/ 50x 32	PDE-F	35	39	50	32	2			
120140	36/ 40/ 46x 36	PDE-F	36	40	46	36	2,5			
120145	40/ 44/ 55x 25	PDE-F	40	44	55	25	2			
120150	40/ 44/ 55x 40	PDE-F	40	44	55	40	2			
120155	40/ 45/ 52x 40	PDE-F	40	45	52	40	2,5			
120160	45/ 50/ 60x 32	PDE-F	45	50	60	32	2,5			
120165	45/ 50/ 60x 45	PDE-F	45	50	60	45	2,5			
1201671	50/ 55/ 65x 20,5	PDE-F	50	55	65	20,5	2,5			
120168	50/ 55/ 65x 24	PDE-F	50	55	65	24	2			
120170	50/ 55/ 65x 32	PDE-F	50	55	65	32	2,5			
120175	50/ 55/ 65x 50	PDE-F	50	55	65	50	2,5			
120180	55/ 60/ 70x 40	PDE-F	55	60	70	40	2,5			
120185	55/ 60/ 70x 60	PDE-F	55	60	70	60	2,5			
120190	60/ 65/ 75x 40	PDE-F	60	65	75	40	2,5			
120195	60/ 65/ 75x 60	PDE-F	60	65	75	60	2,5			

Code	Designation					d	D	D2	L	B
120200	65/ 70/ 80x 40	PDE-F	65	70	80	40	2,5			
120205	65/ 70/ 80x 60	PDE-F	65	70	80	60	2,5			
120210	70/ 75/ 85x 40	PDE-F	70	75	85	40	2,5			
120215	70/ 75/ 85x 70	PDE-F	70	75	85	70	2,5			
120220	75/ 80/ 90x 40	PDE-F	75	80	90	40	2,5			
120225	75/ 80/ 90x 70	PDE-F	75	80	90	70	2,5			
120230	80/ 85/ 95x 40	PDE-F	80	85	95	40	2,5			
120235	80/ 85/ 95x 80	PDE-F	80	85	95	80	2,5			
120240	90/ 95/ 110x 50	PDE-F	90	95	110	50	2,5			
120245	90/ 95/ 110x 90	PDE-F	90	95	110	90	2,5			
120250	100/ 105/ 120x 50	PDE-F	100	105	120	50	2,5			
120253	100/ 105/ 120x 50-L	PDE-F	100	105	120	50	2,5			
120255	100/ 105/ 120x 90	PDE-F	100	105	120	90	2,5			
120260	105/ 110/ 125x 50	PDE-F	105	110	125	50	2,5			
120265	105/ 110/ 125x 90	PDE-F	105	110	125	90	2,5			
120270	110/ 115/ 130x 50	PDE-F	110	115	130	50	2,5			
120275	110/ 115/ 130x 90	PDE-F	110	115	130	90	2,5			
120280	120/ 125/ 140x 50	PDE-F	120	125	140	50	2,5			
120285	120/ 125/ 140x 90	PDE-F	120	125	140	90	2,5			
120346	140/ 145/ 165x 40	PDE-F	140	145	165	40	2,5			
120357	140/ 145/ 165x 60	PDE-F	140	145	165	60	2,5			
120358	140/ 145/ 165x 60-L	PDE-F	140	145	165	60	2,5			

Other dimensions and designs can be supplied on request. All measures in mm.  
("L" in the designation stand for lubricating hole.)

## Dimension programme

### PDE-T



Code	Designation	d	D	L
110378	50/ 55x 40-L PDE-T	50	55	40
110383	50/ 55x 50-L PDE-T	50	55	50
110388	50/ 55x 60-L PDE-T	50	55	60
110403	60/ 65x 50-L PDE-T	60	65	50
110407	60/ 65x 60-L PDE-T	60	65	60
110438	70/ 75x 50-L PDE-T	70	75	50
110443	70/ 75x 60-L PDE-T	70	75	60
1104731	80/ 85x 60-L PDE-T	80	85	60
110517	100/105x 70-L PDE-T	100	105	70

Other dimensions and designs can be supplied on request. All measures in mm.  
("L" in the designation stand for lubricating hole.)